

KENTUCKY STATE HIGH SCHOOL BOYS BASKETBALL TOURNAMENT

Site Rupp Arena, Lexington, Kentucky

GAME 5 SESSION 3 DATE 3-21-85 ESTIMATED ATTENDANCE 15,000

PRESS AND MEDIA BOX SCORE STAT SHEET

Team: PAINTSVILLE

Team: WASHINGTON COUNTY

Coach: Bill Runyon

Coach: Whitey Simpson

Season Record: Won 23 Lost 8

Season Record: Won 24 Lost 6

PLAYER	MIN	FG	FGA	FT	FTA	REB	A	PF	TP	PLAYER	MIN	FG	FGA	FT	FTA	REB	A	PF	TP
John 32 Delphrey	32	3	10	7	8	15	1	1	13	Tony 20 Ellery	25	2	3	0	1	4	1	2	4
Ray 23 Couch	32	6	14	2	4	12	2	3	14	Jim 10 Manningly	31	4	15	0	0	9	1	5	8
Jerry 12 Castle	22	3	6	0	0	5	0	4	6	Kevin 35 Ellery	32	6	11	0	1	6	0	3	11
Mike 21 Minix	31	8	10	0	0	3	0	3	16	Paul 22 Gartin	31	6	18	1	3	9	0	5	13
Jeff 15 Baldwin	25	1	1	3	7	1	3	0	5	Jimmy 34 Parrott	31	4	15	4	4	5	3	1	12
Keith 34 Adkins	18	0	3	0	0	1	5	3	0	Glenn 33 Stalman	9	1	1	0	0	1	1	0	2
Todd 11 Burchell							0			Mitchell 12 Feele							0		
Brett 44 Nuff										Paul 44 Newby							0		
Janied 14 Gray										Bill 40 Pettus	1								
Frank 35 Osborne										Pat 5 Taylor									
ance 5 Daniels										Scott 32 Black									
Neil 20 Mosley										Martin 24 Pipes									
Team Rebounds						0				Team Rebounds						1			
TOTAL	160	21	44	12	19	37	11	14	54	TOTAL	160	23	63	5	9	35	6	16	5

Field Goal %: 21 out of 44 = 47.7 %

Field Goal %: 23 out of 63 = 36.5 %

Free Throw %: 12 out of 19 = 63.1 %

Free Throw %: 5 out of 9 = 55.6 %

Turnovers 17

Turnovers 6

Offensive Rebounds 27

Offensive Rebounds 15

Defensive Rebounds 10

Defensive Rebounds 20

TEAM	1	2	3	4	OT	OT	FINAL
PAINTSVILLE	12	13	12	17			54
WASHINGTON Co.	8	11	16	16			51

OFFICIALS

ERNIE LIGGETT

JIM LONG

ABBREVIATED HALFTIME BOX

Date 3-21-85
 Crowd 15,000

	WASHINGTON CO.		PAINTSVILLE	
Halftime Score	19		25	
Field Goals Attempted	32		25	
Field Goals Made	8		12	
Field Goal Percentage	25.0		48.0	
Free Throws Attempted	5		3	
Free Throws Made	3		1	
Free Throws Percentage	60.0		33.3	
Rebounds (Total Individual)	19		20	
Individual Scoring Leaders	EILERY K.	6	MINIX	12
	Parrott	6		
Individual Rebounds Leaders	MATTINGLY	7	Phelphrey	7
			Couch	7
Players with three or more personal fouls			CASTLE	3

Additional Information

Assists	3	7
Turnovers	2	8

National Collegiate Athletic Association BASKETBALL SHOT CHART

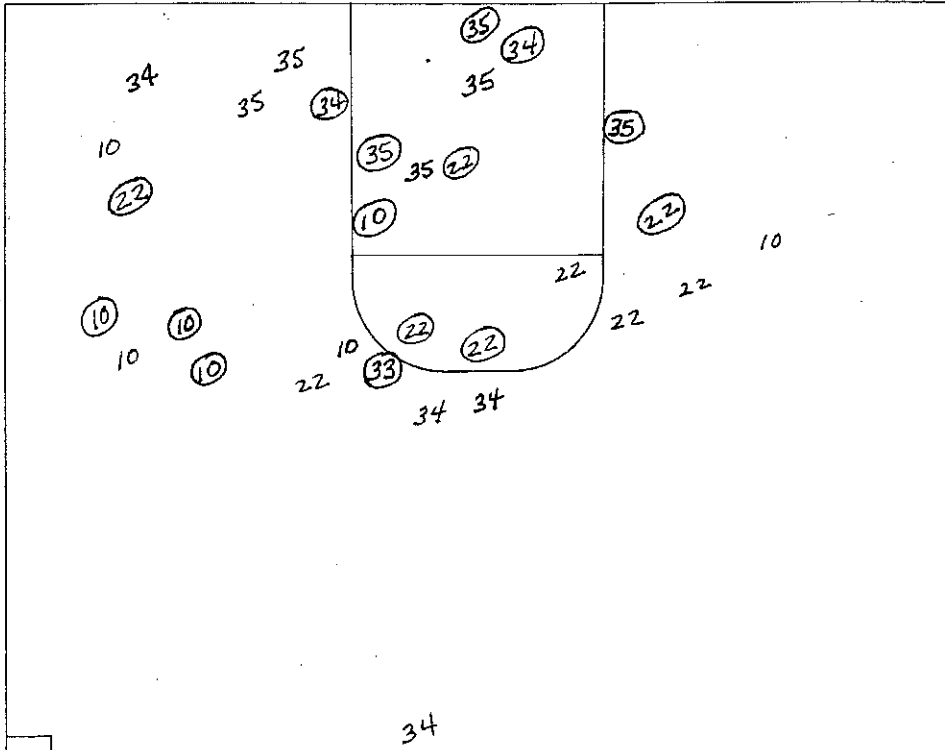
First Half

Second Half

Game 5

(Circle one)

Layups



Attempted 30
Made 15
Percentage 50.0%

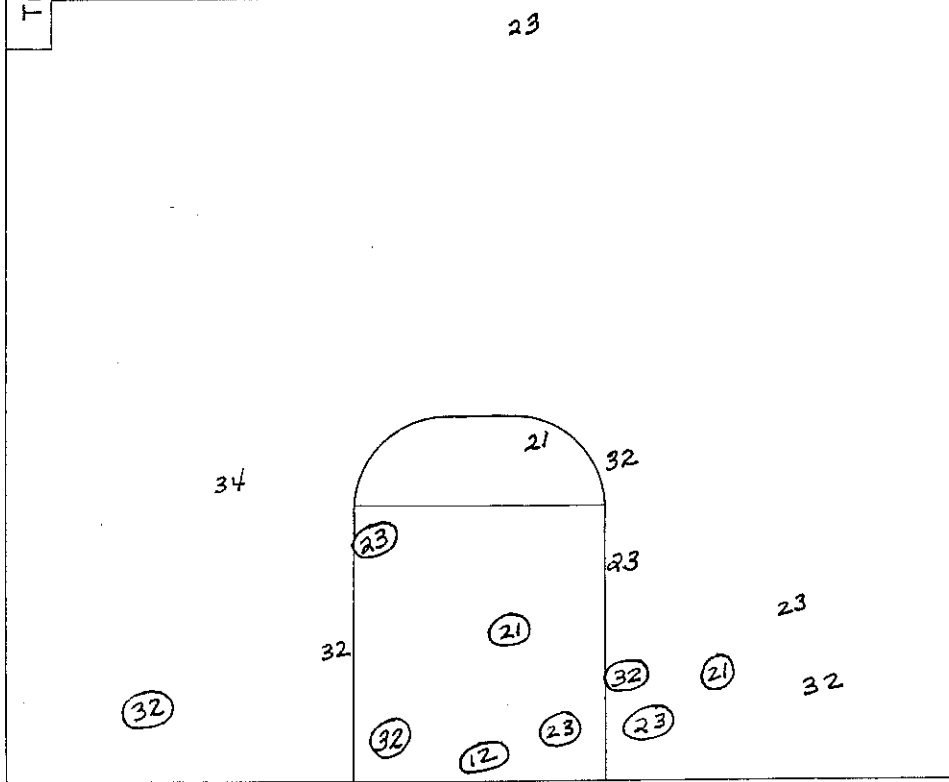
Turnovers

1	X	2	X	3	X	4	X	5	X	6	X	7	X	8		9		10		11		12		13		14		15		16		17		18		19	
---	---	---	---	---	---	---	---	---	---	---	---	---	---	---	--	---	--	----	--	----	--	----	--	----	--	----	--	----	--	----	--	----	--	----	--	----	--

34

23

Team Paintsville 54



Attempted 16
Made 9
Percentage 56.3%

Layups

National Collegiate Athletic Association BASKETBALL SHOT CHART

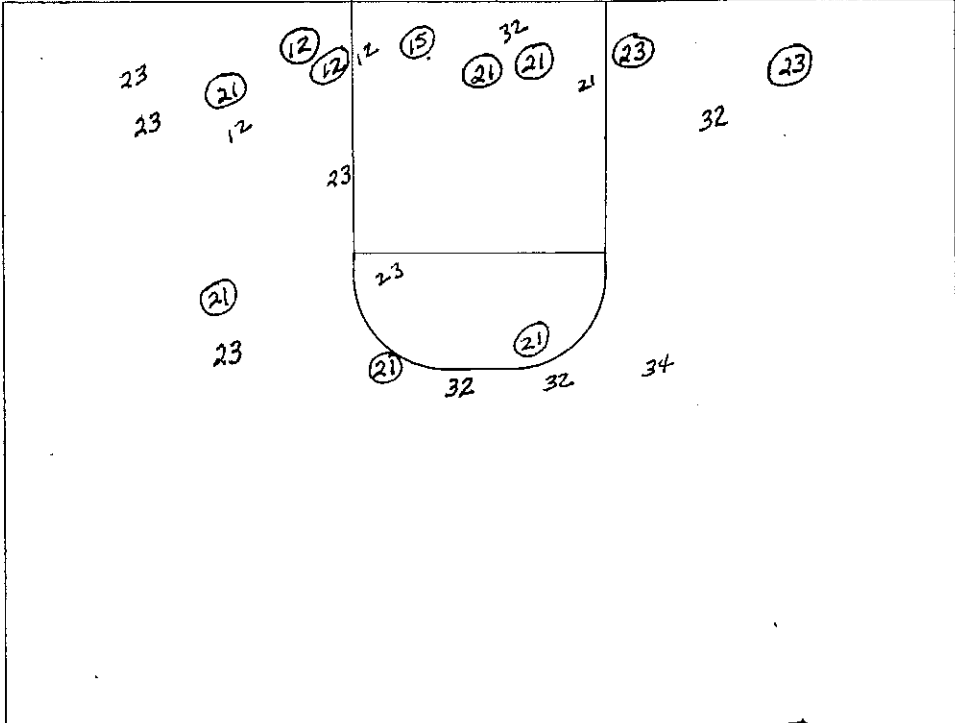
First Half

Second Half

GAME 5

(Circle one)

Layups

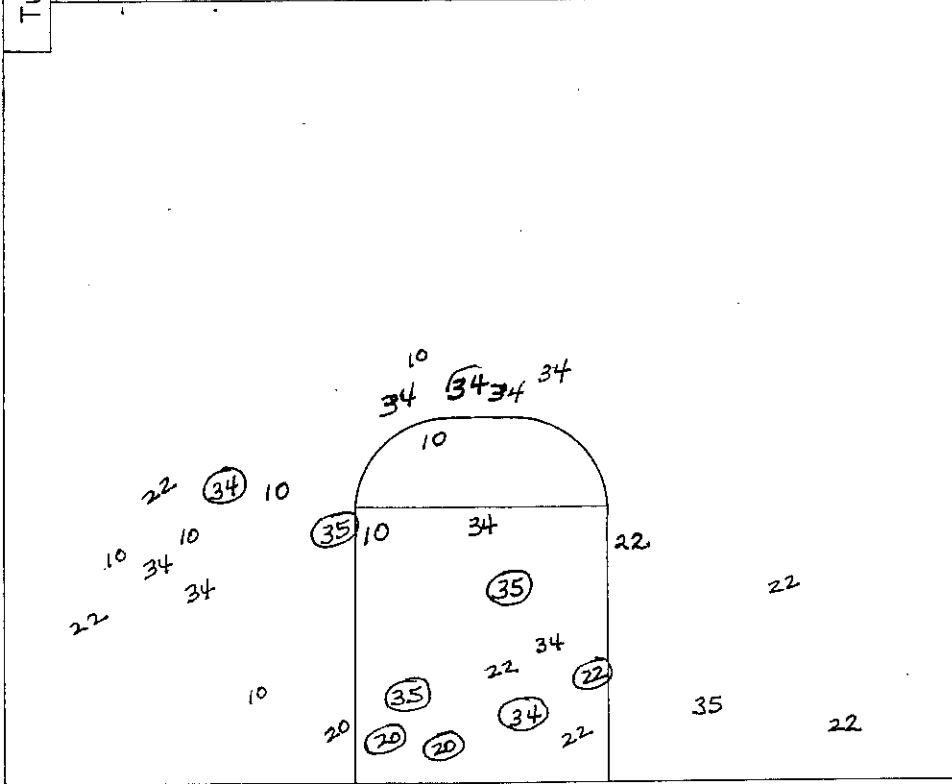


Attempted 25
 Made 12
 Percentage 48.0%

Turnovers	1	2	3	4	5	6	7	8	9	10	11	12	13	14	15	16	17	18	19
	X	X	X	X	X												(23)		

Team PAINTSVILLE

Team WASHINGTON COUNTY



Attempted 32
 Made 8
 Percentage 25.0%

Layups

1985 Boys State High School Basketball Tournament --Session Three
 Washington County (24-6) vs Paintsville (23-8)
 March 21, 1985; Rupp Arena; Lexington, Kentucky

Officials: Ernie Liggett and Jim Long

		<u>First Quarter</u>	
Time	Washington Co. play	Score	Paintsville play
8:00	Starters: T. Ellery, Mattingly, K. Ellery Gartin, and Parrott		Starters: Phelpfrey, Couch, Castle Minix, and Baldwin
7:31	K. Ellery P1 T1		X
6:42		0-2	Castle 5 ft lt baseline
6:07		0-4	Minix pulls up from 8 ft on the break
5:37		0-6	Minix shoots off one foot (Baldwin)
5:14	Parrott puts his own rebound in	2-6	
4:58		2-8	Couch from rt corner
4:47			Castle P1 T1
4:27		2-10	Minix fastbreak layup (Baldwin)
4:08	K. Ellery turnaround in the lane	4-10	
3:42	Gartin P1 T2		
3:33		4-12	Minix 10 ft lt side
3:29	Washington Co. Timeout (1)		
3:07	T. Ellery P1 T3		
2:46			Phelpfrey P1 T2
2:44			Castle P2 T3
2:35	X Gartin 10 ft jumper	6-12	
2:04	X T. Ellery puts the rebound in	8-12	
<u>Second Quarter</u>			
7:46		8-14	Minix from the free throw line (Phelpfrey)
6:46			Adkins P1 T4
6:38			Minix Minix P1 T5 (Offensive)
6:05		8-16	Minix 16 ft jumper (Adkins)
5:34	T. Ellery works for the rebound basket	10-16	
5:05	K. Ellery spins in the lane (Parrot)	12-16	
4:36		12-18	Castle layup
4:16	Parrot 18 ft jumper rt side (Mattingly)	14-18	
3:01		14-20	Couch turns on the baseline
2:26	K. Ellery fta		Castle P3 B B
1:27	K. Ellery P2 T4	14-21	Couch ft-fta
1:18	K. Ellery layup (Mattingly)	16-21	
0:39	Parrott ft+ft	18-21	Adkins P2 B
0:27	Mattingly P1 T5	18-23	Baldwin ly layup against the press (Adkins) f
0:04	Gartin fta-ft	19-23	Couch P1
0:00		19-25	Couch fires from midcourt

Wah
 Washington County 19
 Paintsville 25

Ties 0
 Lead changes 0

1985 Boys State High School Basketball Tournament -- Session Three
 Washington County vs Paintsville
 March 21, 1985; Rupp Arena; Lexington, Kentucky

Third Quarter

Time	Washington Co. play	Score	Paintsville Play
8:00		19-25	
7:23	Mattingly drives across the land	21-25	
6:53	Parrott P1 T1		
6:38		21-27	Pelphrey 18 ft rt baseline
5:56	Gartin 6 ft jumper fta	23-27	Couch KXIX P2 T1
5:34		23-29	Castle tipin
5:17	Mattingly 14 ft lt side	25-29	
5:09	Gartin 15 ft lt side	27-29	
4:46		27-31	Couch 8 ft turnaround in lane
4:30	Stateman from foul line	29-31	
4:02	Mattingly 18 ft jump shot	31-31	
3:44			Paintsville Timeout (1)
3:31		31-33	Couch powers a layup in
2:49			Castle P4 T2
2:08			Minix P2 T3
1:33	K. Ellery P3 T2	31-35	Phelphrey ft-ft
1:17		31-37	Minix 14 ft jumper from lt side
1:11			Minix P3 T4
0:58	K. Ellery rebound basket	33-37	
0:01	Parrott ft+ft	35-37	Adkins P3 T5 Bonus

Fourth Quarter

7:45	Gartin P2 T3		
7:25		35-39	Phelphrey lays rebound in
7:10	K. Ellery layup (T. Ellery)	37-39	
6:36		37-41	Couch spins on left baseline
6:21	Gartin P3 T4		
	Washington Co. Timeout (2)		
5:33		37-43	Phelphrey layup (Adkins)
5:17	Parrott rebound basket	39-43	
5:07	Mattingly P2T5 Bonus	39-44	Baldwin ft+fta
4:53	Gartin moves to the free throw line	41-44	
	T. Ellery fta+		Couch P3 B
4:02		41-46	Minix drives down the lane for layin
3:48	K. Ellery from the middle of the lane	43-46	
3:19	Mattingly P3	43-47	Baldwin fta-ft
3:05	Gartin moves into the lane for 6 ft shot	45-47	
2:48	Mattingly hits form21 ft (Gartin)	47-47	
2:25			Paintsville call's Timeout Two
1:48	Mattingly P4 B	47-49	Phelphrey (after T/0) ft+ft
	Washington Co. Timeout (3)		
0:42			Paintsville Timeout (3)
0:33	T. Ellery P2 B	47-50	Baldwin ft+fta
0:20	Gartin P4 B	47-52	Phelphrey ft+ft
0:15	Gartin drives to the free throw line	49-52	
0:13	Washington Co. Timeout (4)		
0:09	Mattingly P5 B	49-53	Couch ft+fta
0:04	Parrott drives for layup	51-53	
0:01	Gartin P5 (Intentional foul)	51-54	Phelphrey fta-ft

Final

Washington County	51
Paintsville	54